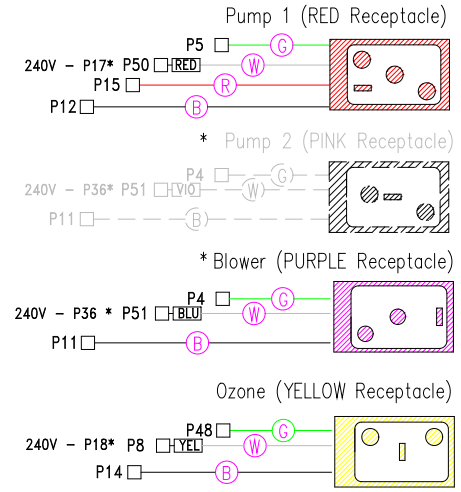
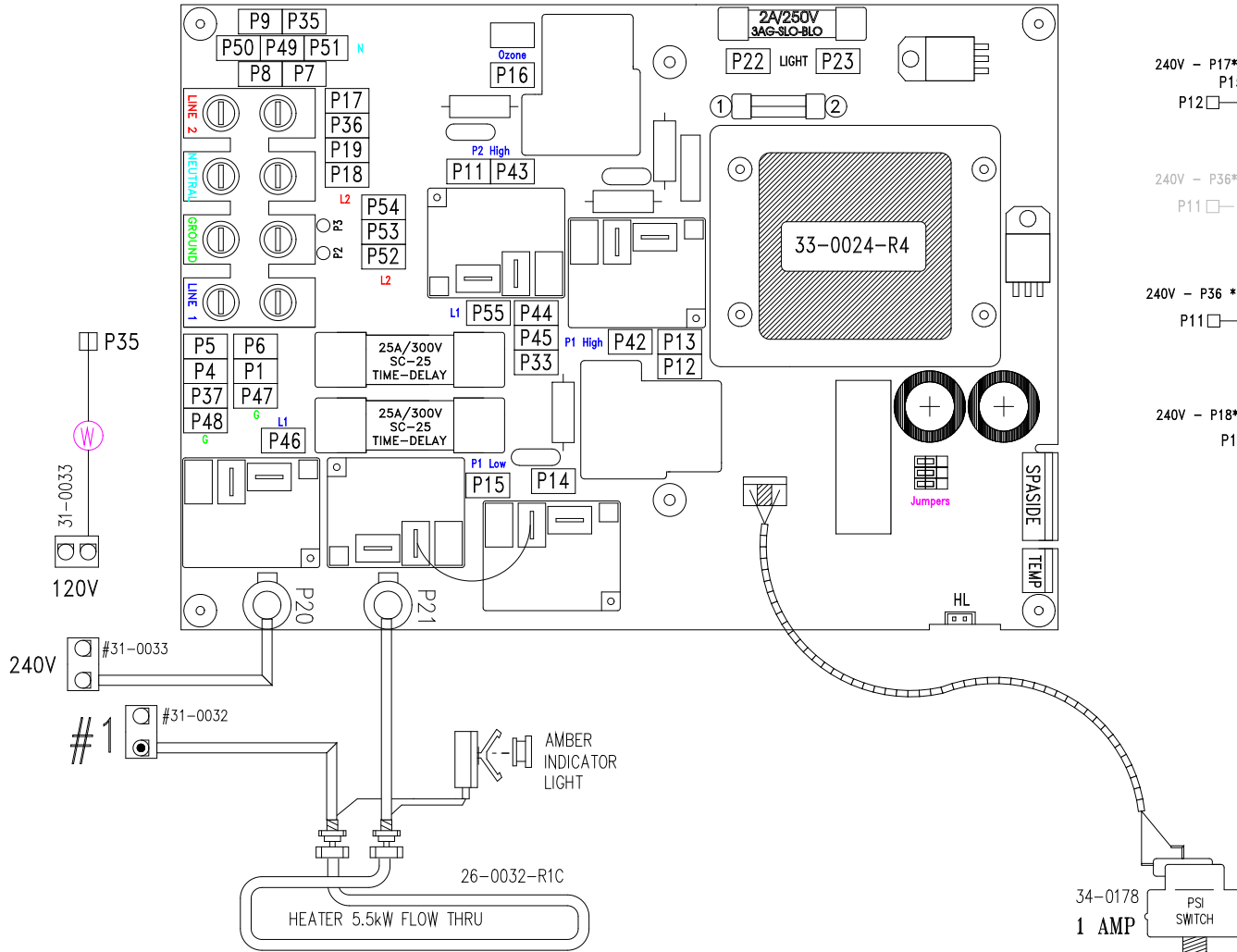
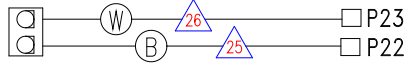


Light Receptacle - 2-Pin



* Unit may come equipped with either Pump 2 or Blower

RECEPTACLES WITH LIP

LEGEND	
	- 1/4" QUICK CONNECT
	- 1/4" QUICK CONNECT PIGGYBACK
	- FORK CONNECTOR
	- RING CONNECTOR
	- SOCKET CONNECTOR
	- PIN CONNECTOR

Manufacture Notes: #1 For 240V operation of heater, plug must be installed into 240V receptacle
 #2 Line 1 and Line 2 need to be SEPARATED for 240V operation.

Dwg. No. J550A0-DKQY	Drawn BH	Rev 3	Wire Color Code B - Black G - Green Br - Brown Bl - Blue R - Red V - Violet O - Orange W - White Y - Yellow Gr - Gray
Date 02.21.06			
Diagram No. 6816			